

**Tools available
in peel software
and peel2CAD**



peel 3dTM

Reverse engineering workflow

Peel 3d (STL files)



Clean, Edit and improve the STL



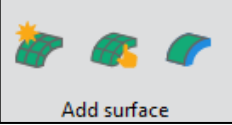
Basic Alignments



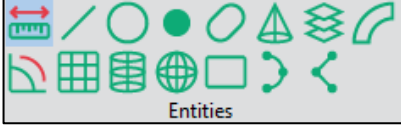
Advance Alignments



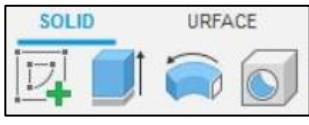
Freeform surfaces from the STL



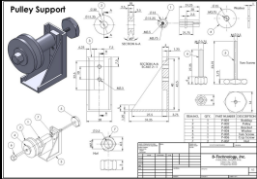
Geometric Entities from the STL



Sketch and 3D Solid CAD model



2D plan and drawings



Peel Software

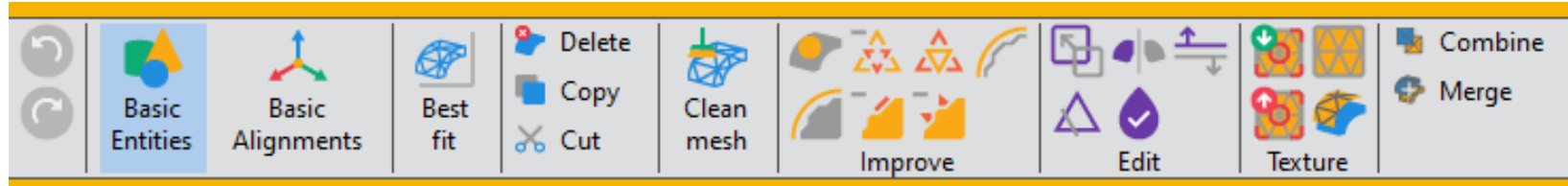
Peel2CAD

They might have some tools in this range

All other CAD softwares

To be confirmed

Peel software basic tools and functions



Entities Creation: ***

Measure Distance
 Measure Angles
 Create: Line, Plane, Circle,
 Cylinder, Point, Sphere, Slot,
 Rectangle, Cone, Curve,
 Cross-Section, Polyline,
 Silhouette

Align:

Align to Origin
 Plane-Line-Point
 Apply Alignment
 Point Selection
 Entity Based
 Best Fit

Organise Mesh:

Delete Mesh
 Copy Mesh
 Cut Mesh
 Clean Mesh

Improve Mesh:

Fill Holes
 Smooth Mesh
 Decimate
 Defeature
 Remesh
 Remove Spike
 Edit Boundary

Edit Mesh:

Scale the mesh
 Cut Mesh
 Mirror Mesh
 Watertight Remesh
 Flip/Flix Normals

Texture:

Import Snapshot
 Export Snapshot
 View Texture
 Apply Texture

Other:

Combine
 Merge

*** Only for alignment, entities cannot be exported

To performe these post-processing actions:



CLEAN UP



FILL



MIRROR



ALIGN



SMOOTH



DECIMATE



TRIM



MERGE

Peel 2 CAD list of tools and functions



Entities Creation:

Measure Distance
 Measure Angles
 Create: Line, Plane, Circle,
 Cylinder, Point, Sphere, Slot,
 Rectangle, Cone, Curve,
 Cross-Section, Polyline,
 Silhouette

Add Surface:

Auto-Surface
 Manual Surface
 Single Patch

Align:

Align to Origin
 Apply Alignment
 Point Selection
 Entity Based
 Best Fit

Organise Mesh:

Delete Mesh
 Copy Mesh
 Cut Mesh
 Clean Mesh

Improve Mesh:

Fill Holes
 Smooth Mesh
 Decimate
 Defeature
 Remesh
 Remove Spike
 Edit Boundary

Edit Mesh:

Scale the mesh
 Cut Mesh
 Cut Mesh by Curve
 Mirror Mesh
 Watertight Remesh
 Flip/Flix Normals

Texture:

Import Snapshot
 Export Snapshot
 View Texture
 Apply Texture

Other:

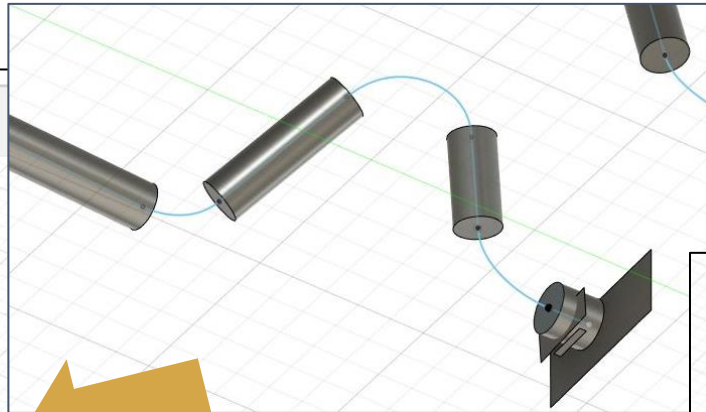
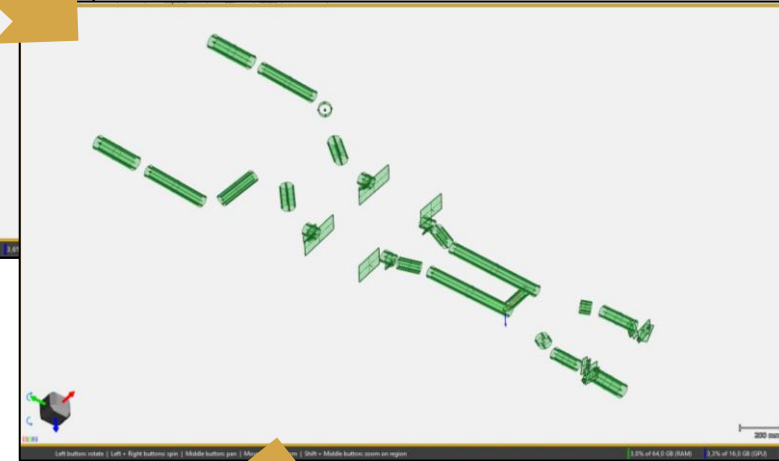
Compare
 Combine
 Merge

PEEL 2 CAD

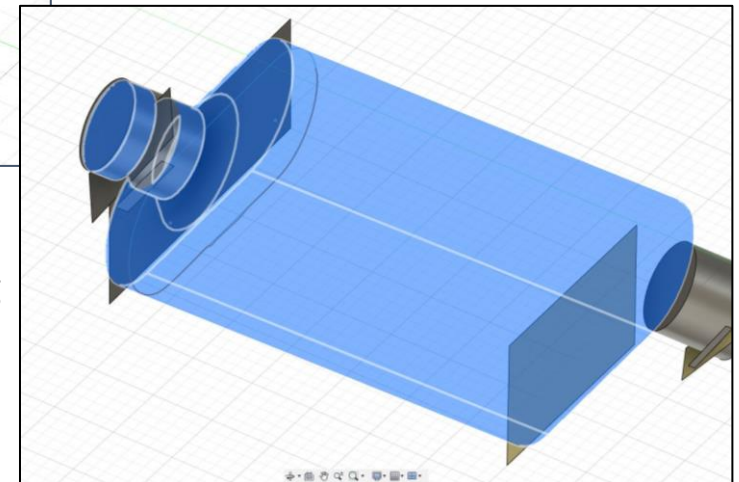
1) Scan the part using a peel3d



2) Clean the mesh and extract the important geometries using peel2CAD tools.



3) In a CAD software, design the 3D model using the geometries and scan data.



4) Merge and complete the 3D solid model

